

| | | | |
|----------|--|-------------|-----------|
| A | GENERAL RECOMMENDATIONS..... | Pag. | 4 |
| A1 | HANDLING | Pag. | 4 |
| A2 | UNPACKING | Pag. | 4 |
| A3 | DISPOSAL..... | Pag. | 4 |
| A4 | TECHNICAL DATA..... | Pag. | 5 |
| B | INSTRUCTIONS FOR THE INSTALLER/MAINTENANCE PERSON | Pag. | 7 |
| B1 | WATER CONNECTION | Pag. | 7 |
| B2 | ELECTRICAL CONNECTION | Pag. | 8 |
| B3 | WARNING MESSAGES DISPLAYED ON THE CONTROL PANEL | Pag. | 9 |
| B4 | DETERGENT/RINSE-AID DISPENSERS AND SETTINGS..... | Pag. | 9 |
| B5 | SETTING THE DISPENSERS..... | Pag. | 10 |
| B6 | MAINTENANCE..... | Pag. | 11 |
| C | INSTRUCTIONS FOR THE USER..... | Pag. | 13 |
| C1 | STARTING | Pag. | 13 |
| C2 | WASH CYCLES..... | Pag. | 14 |
| C3 | OPERATION | Pag. | 14 |
| C4 | END OF WORK AND DAILY CLEANING | Pag. | 15 |
| C5 | UNDERCOUNTER DISHWASHER WITH INCORPORATED CONTINUOUS WATER SOFTENER | Pag. | 16 |
| C6 | WARNING MESSAGES DISPLAYED ON THE CONTROL PANEL | Pag. | 17 |
| C7 | RESIDUAL RISKS | Pag. | 17 |
| D | TROUBLESHOOTING | Pag. | 19 |

WARNING

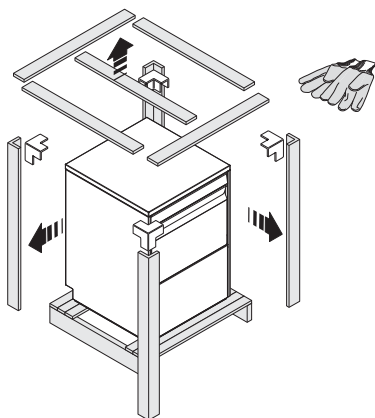
CAREFULLY READ THE INSTALLATION, OPERATING AND MAINTENANCE INSTRUCTIONS BEFORE INSTALLING THIS APPLIANCE. INCORRECT INSTALLATION, ADAPTATIONS OR ALTERNATIONS COULD CAUSE DAMAGE TO PROPERTY OR INJURY TO PERSONS. MALICIOUS DAMAGE, DAMAGE DUE TO NEGLIGENCE, OR TO FAILURE TO COMPLY WITH INSTRUCTIONS AND REGULATIONS, OR TO INCORRECT CONNECTIONS OR UNAUTHORISED TAMPERING INVALIDATE ANY WARRANTY AND RELIEVE THE MANUFACTURER OF ALL LIABILITY.

1. Carefully read this instructions booklet, as it contains important advice for safe installation, operation and maintenance.
Keep this booklet to hand in a safe place for future reference by other operators.
2. **Installation should be carried out by qualified engineers, in accordance with current regulations and with the manufacturer's instructions.**
3. The appliance should only be used by persons specifically trained in this operation.
4. Switch off the appliance in the event of failure or malfunctioning.

Only have the appliance repaired by a service centre authorised by the manufacturer and ask for original spare parts.

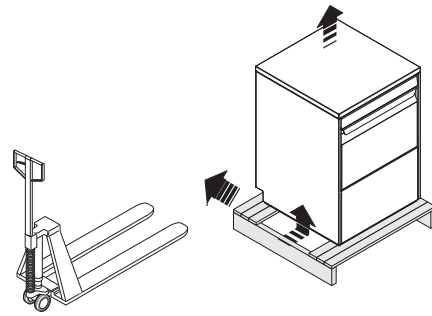
A1 HANDLING

Use suitable means to move the appliance: a lift truck or fork pallet trucks (the forks should reach more than halfway beneath the appliance).

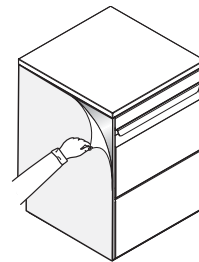
A2 UNPACKING**Figure 1**

Wear protective gloves to unpack.

Lift the appliance using a lift truck, remove the base and position the appliance

**Figure 2**

where it is to be installed.

**Figure 3**

Remove the protective film and ensure that the packaging material is disposed of correctly in compliance with the regulations in force in the country where the product is to be used.

A3 DISPOSAL

All the packaging materials are environment friendly. They may be kept without danger, recycled or burned in a special waste incineration plant. Recyclable plastic components are marked as follows:

| | | |
|--|-------------------------|---|
| | polyethylene | external wrapping film, instruction bag. |
| | polypropylene | top packaging panels, straps |
| | polystyrene foam | protective surround elements. |

Wood and cardboard components may be disposed of according to local regulations in force. Appliances that have reached the end of their service life should be suitably disposed of. The appliance should be dismantled according to regulations in force. All metal parts are in stainless steel (AISI 304) and are removable. Plastic parts are marked with the symbol of the material.

A4 TECHNICAL DATA

| MODEL | | ET5AIDP / ET5AIDPWS / ET5AIT | ZUCI / AUCI / EUCI | EUCAIML / EUCAIMLG | EUCAIUSPH / EUCIM | ZUCAI / AUCAI / EUCAI |
|--|-----------|------------------------------------|-----------------------|-----------------------------|-----------------------------|--|
| Supply voltage: | V | 400-415V 3N | 400-415V 3N | 400-415V 3N | 400-440V 3 | 400-415V 3N |
| - convertible to | V | 220-240V 3 | 220-240V 3 | 220-240V 3 | - | 220-240V 3 |
| - single-phase version | V | 220-240V 1N | 220-240V 1N | 220-240V 1N | - | 220-240V 1N |
| Frequency | Hz | 50 or 60 | 50 or 60 | 50 or 60 | 50 or 60 | 50 or 60 |
| Max. power input | kW | 6,85/8,85(*) | 5.35/7,35(*) | 6,85/8,85(*) | 6,85/8,85(*) | 5.35/7,35(*) 6,85/8,85(*) (\$) 9,85/11,85(*) (&) |
| Boiler heating elements | kW | 6,0 | 4,5 | 6,0 | 6,0 | 4,5 - 6,0(\$)- 9,0(&) |
| Tank heating elements | kW | 2,0 | 2,0 | 2,0 | 2,0 | 2,0 |
| Water supply press. for atmospheric boiler versions | kPa [bar] | 50-700 [0,5-7] | 50-700 [0,5-7] | 50-700 [0,5-7] | 50-700 [0,5-7] | 50-700 [0,5-7] |
| Water supply press. for pressure boiler versions | kPa [bar] | - | 200-300 [2-3] | - | 200-300 [2-3] | 200-300 [2-3] |
| Water supply temperature | °C | 15 | 50 | 50 | 50 | 50 / 15 (&) |
| Water supply hardness for models without incorporated continuous water softener | °f/°d/°e | 14/8/10 max | 14/8/10 max | 14/8/10 max | 14/8/10 max | 14/8/10 max |
| Electric conductivity of water for models without incorporated continuous water softener | µS/cm | < 400 | < 400 | < 400 | < 400 | < 400 |
| Water supply hardness for models with incorporated water softener | °f/°d/°e | 48/27/33,7 max | 48/27/33,7 max | 48/27/33,7 max | 48/27/33,7 max | 48/27/33,7 max |
| Concentration of chlorides in water | ppm | < 20 | < 20 | < 20 | < 20 | < 20 |
| Rinse cycle water consumption | l | 3,0 | 3,0 (**) | 7,5 | 5,9 / 3,0 (**) | 3,0 / 3,8 (%) |
| Boiler capacity | l | 12 | 12 | 12 | 12 | 12 |
| Tank capacity | l | 23 | 23 | 23 | 23 | 23 |
| Standard cycle time with water supply at 50°C | sec. | 90-120-120 | 90-120-240 | 300-420-600/ 360-540-660 | 120-180-300 / 95-125-245 | 90-120-240 / 90-113-173 (%) |
| Legal noise level Leq | dB(A) | <65 | <65 | <65 | <65 | <65 |
| Protection rating | | IPX4 | IPX4 | IPX4 | IPX4 | IPX4 |
| Net weight for models without incorporated continuous water softener | kg | 68 | 68 | 68 | 68 | 68 |
| Net weight for models with incorporated continuous water softener | kg | 71 | 71 | 71 | - | 71 |
| Power supply cable | | H07RN-F | H07RN-F | H07RN-F | H07RN-F | H07RN-F |

(*) = If activated by software, coincidence of tank and boiler heating elements.

Table 1

| | 400-415 V 3N | | 400-440V 3 | | 220-240V 3 | | 220-240V 1N | |
|----------|-----------------------|----------|-----------------------|--------|---------------------|--------|----------------------|----------|
| | C | S | C | S | C | S | C | S |
| 5,35 kW | 5x2,5 mm ² | 16A 3P+N | 4x2,5 mm ² | 16A 3P | 4x4 mm ² | 20A 3P | 3x6 mm ² | 30A 1P+N |
| 6,85 kW | 5x2,5 mm ² | 16A 3P+N | 4x2,5 mm ² | 16A 3P | 4x4 mm ² | 20A 3P | 3x6 mm ² | 40A 1P+N |
| 7,35 kW | 5X2,5 mm ² | 16A 3P+N | 4x2,5 mm ² | 16A 3P | 4x4 mm ² | 25A 3P | 3x10 mm ² | 40A 1P+N |
| 8,85 kW | 5X2,5 mm ² | 16A 3P+N | 4x2,5 mm ² | 16A 3P | 4x4 mm ² | 32A 3P | 3x10 mm ² | 50A 1P+N |
| 9,85 kW | 5X2,5 mm ² | 20A 3P+N | 4x2,5 mm ² | 20A 3P | 4x6 mm ² | 32A 3P | 3x10 mm ² | 50A 1P+N |
| 11,85 kW | 5X4 mm ² | 25A 3P+N | 4x4 mm ² | 32A 3P | 4x8 mm ² | 40A 3P | 3x16 mm ² | 63A 1P+N |

C = Power supply cable
S = On/Off switch

Table 2

Standard cycle time may vary should the inlet water temperature and/or the boiler heating elements be different from that indicated above.

(**) With dynamic feed pressure of 200 kPa [2 bar] for pressure boiler versions.

(%) For Wine Line versions only.

(\$) EUCAICLG, EUCAIWL

(&) EUCAICL, EUCAICLW

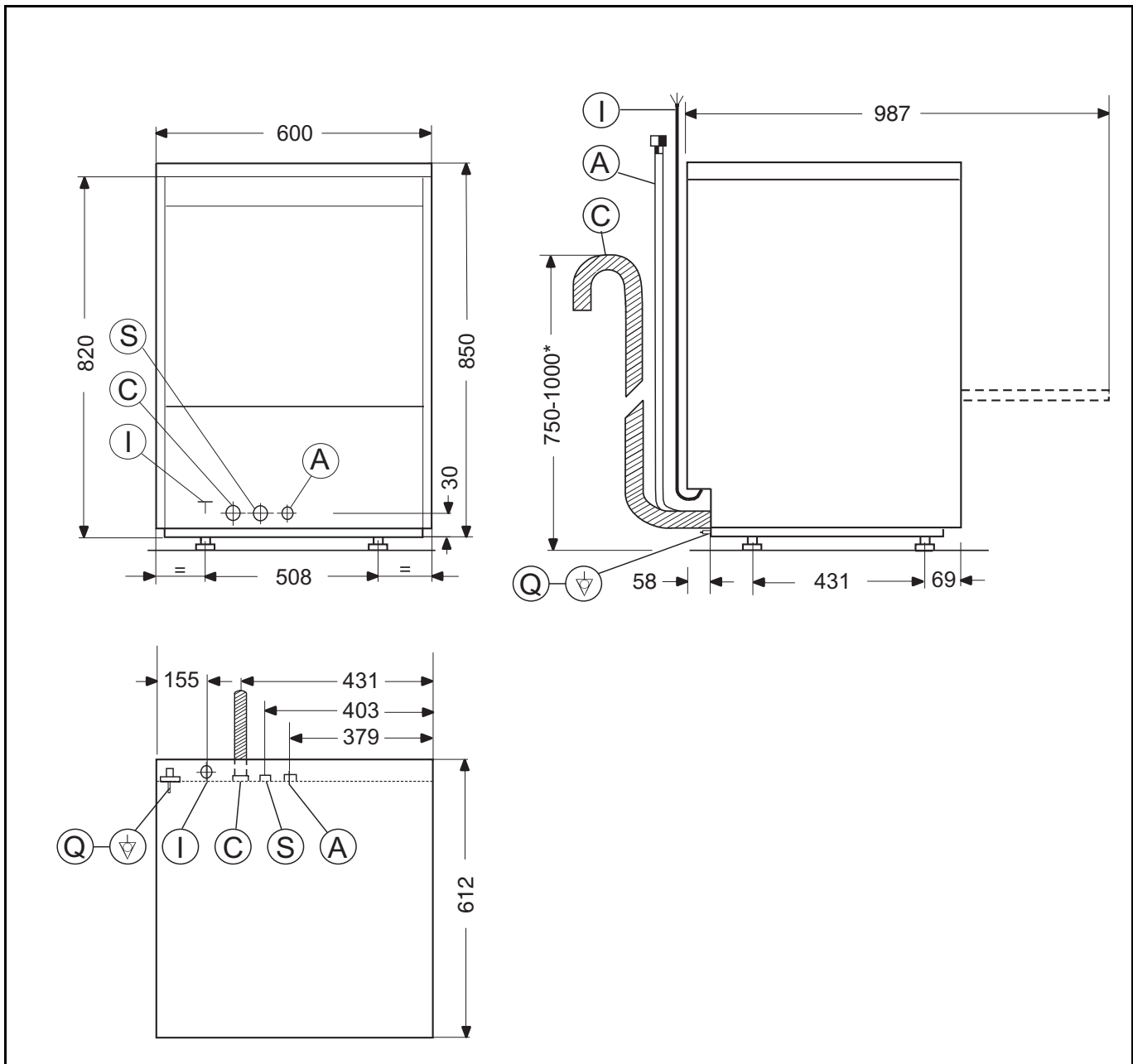


Figure 4 Installation diagram

Legend Figure 4

- A** - Water inlet pipe with \varnothing 3/4" G fittings
- C** - Outlet pipe \varnothing i 40 mm (^) – \varnothing i 20 mm (*).
- I** - Power supply
- S** - Pipe inlet for detergents
- Q** - Unipotential screw
- (^) - Only for model with free-fall drainage
- (*) - Only for model with drain pump

B INSTRUCTIONS FOR THE INSTALLER/MAINTENANCE PERSON

Install a disconnecting switch with a capacity at least equal to that given in the technical data table, a 30mA residual current circuit breaker and an overcurrent device (magnetothermal cut-out with manual reset or fuse) between the appliance and the mains power outlet.

The chosen device must be lockable in the open position in case of maintenance.

RATING PLATE

The rating plate contains identification and technical data and is located on the right-hand side panel of the appliance (Figure 5).

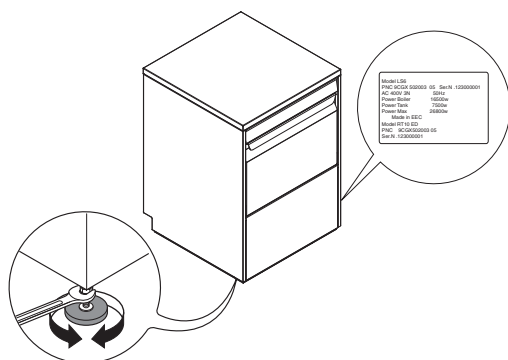


Figure 5

B1 WATER CONNECTION

WARNING

Watermark labelled machines must be installed in accordance with AS/NZS 3500.1.

If the dishwasher is installed under a work plan, the dimensions of the space, where it is inserted, must be the same as those shown in Figure 6.

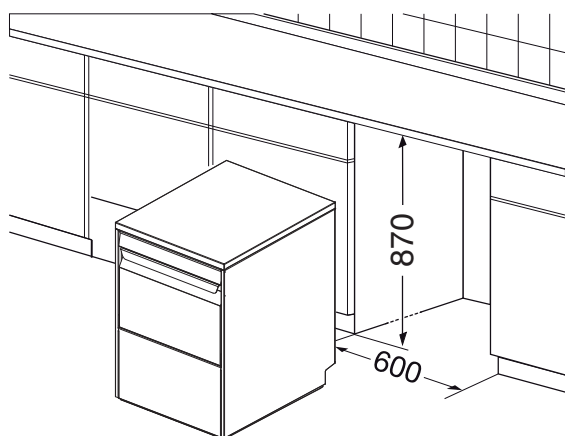


Figure 6

Position the dishwasher and level the appliance by turning the relative height-adjustable feet (Figure 5).

If the dishwasher is installed on a special support (eg.: work plan), follow these steps:

- Accessing the appliance bottom panel and unscrew the 4 feet.

- Make 4 holes \varnothing 9 mm on the support respecting the distances shown in Figure 7.

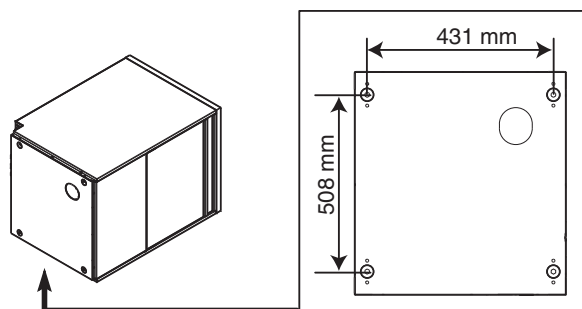


Figure 7

- Put the dishwasher on the support by matching the holes just made with the seats of the feet in the appliance bottom panel (Figure 8).
- Fix the dishwasher steadily using screws M8.

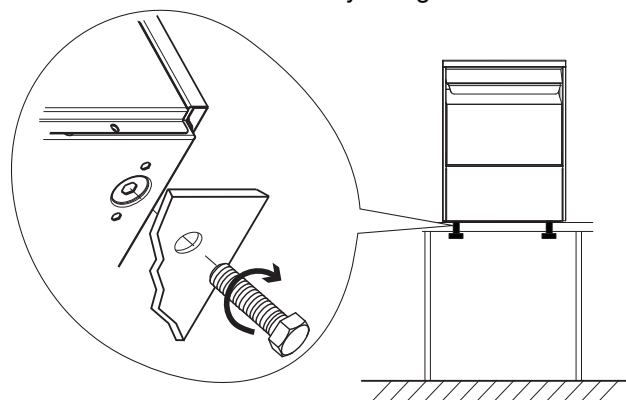


Figure 8

- Connect the appliance water supply pipe "A" (Figure 4) to the mains, fitting a cut-off cock, the filter provided and a pressure gauge between the appliance and the mains (Figure 9).
- In models with incorporated water softener, connect the double non-return valve "B" (Figure 9) supplied and the machine supply pipe.

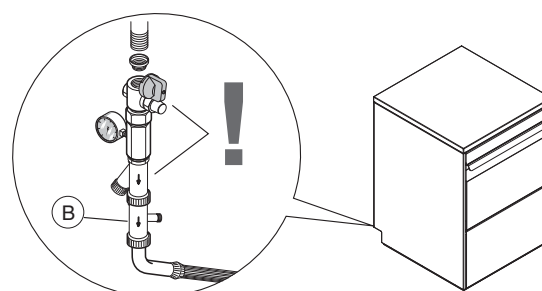


Figure 9

- Check that the **dynamic water supply pressure**, measured between the appliance and the main, is **between 200 and 300 kPa** for machines with pressure boiler and **between 50 and 700 kPa** for machines with atmospheric boiler (test while dishwasher tank or boiler is filling with water). **If the pressure is too high, fit a suitable pressure reducer on the inlet pipe.**

- On the model with free-fall drainage:

connect the waste outlet pipe “C” (Figure 4) to the main drain pipe, fitting a trap, or place the outlet pipe over an “S” trap set into the floor.

- On the model with drain pump:

position the outlet pipe at a height anywhere between 750 and 1000 mm from the floor.

Check that about 3 litres of water flow out of the outlet pipe during the rinse cycle.

B2 ELECTRICAL CONNECTION

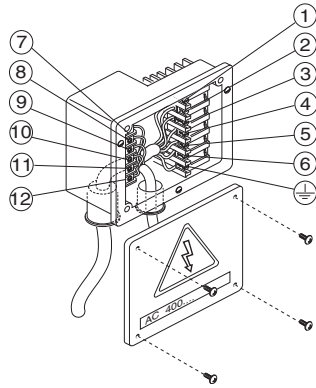


Figure 10



CAUTION
THE EARTH AND ELECTRICAL CONNECTIONS SHOULD BE IN COMPLIANCE WITH NATIONAL REGULATIONS.

- Before carrying out the electrical connection, check that the voltage and frequency on the appliance rating plate correspond to those of the mains electricity supply.
- The earth wire at the terminal end must be longer (max. 20 mm) than the phase wires.
- Connect the earth wire of the power supply cable to an efficient earth clamp. The appliance must also be included in a unipotential system, the connection being made through the screw “Q” (Figure 4) marked with the symbol “⏏”. The unipotential wire must have a cross section of 10 mm².

Power supply 400-415V 3N (standard configuration)

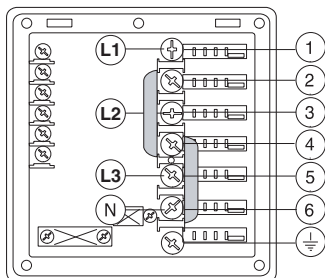


Figure 11

Open the power supply terminal board and insert the jumpers provided as follows: one jumper between terminals 2 and 4 and another between terminals 4 and 6. Using a suitable power supply cable (see technical data

table), connect the three phases to terminals 1, 3 and 5, the neutral to terminal 6 and the earth wire to the terminal ⏏.

Power supply 400-440V 3

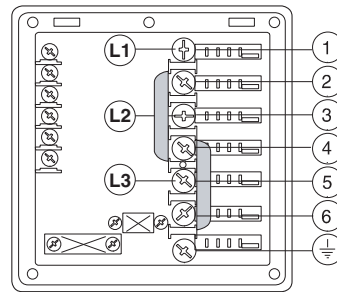


Figure 12

Open the power supply terminal board and insert the jumpers provided as follows: one jumper between terminals 2 and 4 and another between terminals 4 and 6. Using a suitable power supply cable (see technical data table), connect the three phases to terminals 1, 3 and 5 and the earth wire to the terminal ⏏.

Power supply 220-230V 3

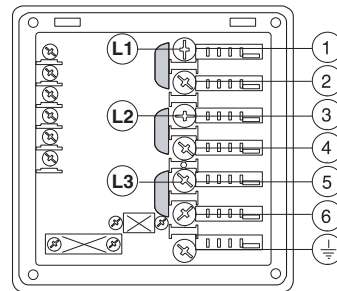


Figure 13

Open the power supply terminal board and insert the jumpers provided as follows: one jumper between terminals 1 and 2, one between terminals 3 and 4 and another between terminals 5 and 6. Using a suitable power supply cable (see technical data table), connect the three phases to terminals 1, 3 and 5 and the earth wire to the terminal ⏏.

Power supply 220-230V 1N

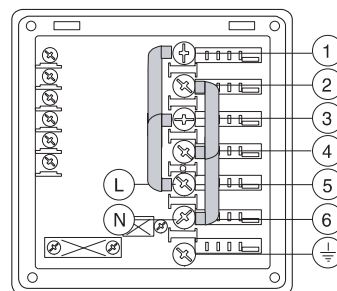


Figure 14

Open the power supply terminal board and insert the jumpers provided as follows: two jumpers between terminals 1, 3, 5 and another two between terminals 2, 4 and 6.

Using a suitable power supply cable (see technical data table), connect the phase and neutral to terminals 5 and 6 respectively and the earth wire to the terminal ⏏.

Connections provided for energy control

This appliance is designed for an external energy consumption control.

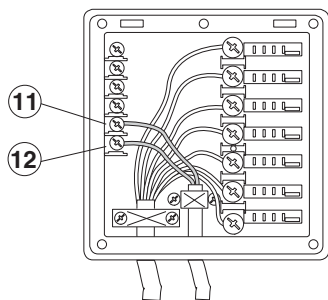


Figure 15

Connect the energy peak controller across terminals 11 and 12.



CAUTION

A normally open (n.o.) contact of the controller must be connected across terminals 11 and 12. When this contact closes the boiler heating elements are disconnected. Using the dishwasher in these conditions may increase the cycle time.

Safety devices

- An automatic reset thermoamperometric protective device incorporated in the windings of the electric pump cuts off the electricity supply in the case of malfunctioning.
- In the event of water mains failure, a device prevents water in the boiler from returning into the mains.
- An overflow pipe, connected to the drainage outlet, maintains the water in the tank at a constant level.
- On models with a drain pump, a supplementary level control device activates if the main level control device is faulty.

Failure to comply with safety rules and regulations relieves the manufacturer of all liability.

B3 WARNING MESSAGES DISPLAYED ON THE CONTROL PANEL

A1 NO WATER

- Check that the cock is open.
- Check that the water inlet filter is clean.
- Check the minimum mains pressure (not less than 50 kPa).
- Check that the overflow pipe is inserted (for appliances without drain pump only).

B1 INEFFICIENT DRAINAGE

- Check if the overflow has been removed.
- Check for obstruction on the waste outlet pipe and the overflow aperture.

B2 TANK WATER LEVEL TOO HIGH

- Check for obstruction on the waste outlet pipe and the overflow aperture.

C1..C8 CALL THE SERVICE CENTRE

E1..E8 CALL THE SERVICE CENTRE

- The appliance continues to operate, but appropriate checks by a technician are recommended.

F21..F22 CALL THE SERVICE CENTRE

B4 DETERGENT/RINSE-AID DISPENSERS AND SETTINGS



CAUTION

The following paragraph does not apply for models ET5AIDP / ET5AIDPWS / ET5AIIT, since the appliance already has the prearrangements for the detergent/rinse aid dispensers.

If the appliance is connected to a water softener or osmotic device, contact the detergent supplier for a specific product.

Peristaltic dispensers (rinse-aid and detergent) require periodic maintenance. The internal hose of the rinse-aid dispenser should undergo periodic maintenance (at least once or twice a year).

1. Dishwasher with incorporated detergent dispenser pump (Figure 16).

Pump "R" dispenses about 0.9 g/s of detergent. When the appliance is filled with water for the first time in the day, it dispenses about 44 g of detergent in 45 sec., thereby providing a concentration of 2 g/l. Pump "R" dispenses about 6 g in 6 sec. at each cycle.

Dispenser operating time may be changed, following the instructions given in the next paragraph.

Insert the hose provided in the kit into the detergent container.

2. Dishwashers with incorporated peristaltic rinse-aid dispenser pump (Figure 16).

Pump "S" dispenses about 0.1 g/s of rinse-aid. It dispenses 0.3 g in 3 sec. at each rinse.

Dispenser operating time may be changed, following the instructions given in the next paragraph.

Insert the hose provided in the kit into the rinse-aid container (in the versions without incorporated rinse-aid dispenser only).

3. Dishwashers with incorporated rinse-aid diaphragm dispenser pump (Figure 16).

Pump "T" is installed in appliances with pressure boiler. Dispensed amounts may be changed according to the instructions given in the paragraph below.

Insert the supplied hose into the rinse-aid container (in the versions without incorporated rinse-aid dispenser only).

Connections for automatic detergent dispenser (Figure 16)

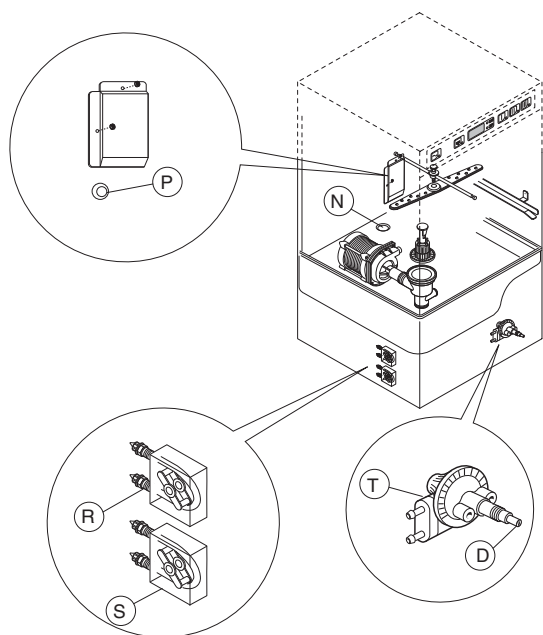


Figure 16

There is a ready-made impression “N” to be perforated (Ø 8 mm) for positioning the detergent concentration measuring sensor.

Inside the tank there is a hole “P” (Ø 10 mm) closed with a plug, which may be used for mounting a liquid detergent injector.

The Ecotemp versions have a hole “N” (Ø 22 mm) closed with a plug. The sensor and liquid detergent injector should be installed without prejudicing the watertightness of the appliance.

Electrical connections for automatic detergent and rinse-aid dispensers

Terminals are available on the power supply terminal board for the electrical connection of external dispensers working at 220...240 V. Max. power 30 VA.

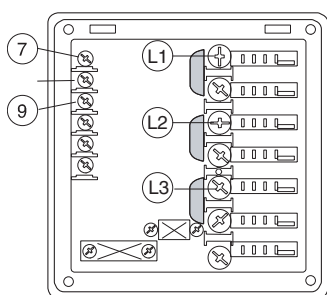


Figure 17

- Connect the **detergent dispenser** between terminals 7 and 9. These connection points are live for a set time during filling of the tank and at the start of

the wash cycle (see paragraph “Setting the dispensers”).

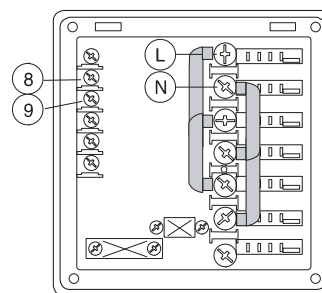


Figure 18

- Connect the **rinse-aid dispenser** between terminals 8 and 9. These connection points are live during filling of the tank and at the end of the rinse cycle for a set time (see “setting the dispensers” paragraph).

MANUAL ACTIVATION

Whenever the detergent containers are replaced, it may be necessary to activate the dispensers manually in order to fill the hoses and eliminate any air.

Simultaneously press the buttons, as shown in the figures below. If necessary, repeat this operation several times.



DETERGENT DISPENSER

DISPENSER RINSE-AID

In the appliances with pressure boiler, the diaphragm dispenser pump may be manually activated by pressing screw “D” (Figure 16).

B5 SETTING THE DISPENSERS

1) Peristaltic dispensers

All operations should be carried out with the appliance switched on, the door open and no cycle selected.

LEGEND

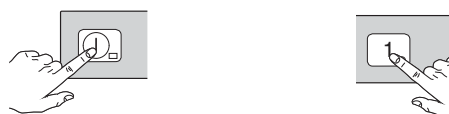
▲ Increase

▼ Decrease

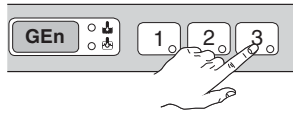
☛ Confirm or select next parameter

SEQUENTIAL START

Press the indicated buttons simultaneously for 5 seconds:



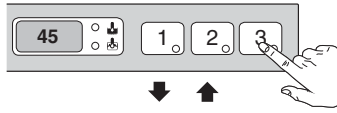
Display of programming mode:



Initial amount of detergent:



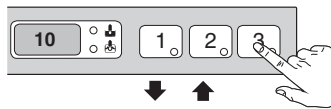
Setting the activation time:



Initial amount of rinse-aid:



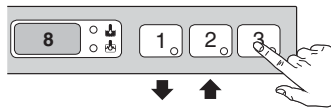
Setting the activation time:



Amount of detergent during the cycle:



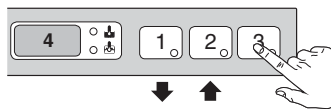
Setting the activation time:



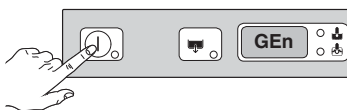
Amount of rinse-aid during the cycle:



Setting the activation time:



Exit from programming mode:



Notes for external dispensers:

- if $dEt = 101$ the **detergent dispenser** only operates during **wash pump** operation; terminals 7-9 of the main terminal board are powered at the same time.

- if $dEt = 102$ the **detergent dispenser** only operates during **filling electrovalve** operation for restoring the boiler level; terminals 7-9 of the main terminal board are powered at the same time.
- if $rA = 61$ the **rinse-aid dispenser** only operates during **filling electrovalve** operation for restoring the boiler level; terminals 8-9 of the main terminal board are powered at the same time.
- if $rA = 62$ the **rinse-aid dispenser** only operates during **wash pump** operation; terminals 8-9 of the main terminal board are powered at the same time.

For connections, see the wiring diagram.

Example:

Supposing that an external detergent dispenser has been connected with a tank concentration measuring sensor, a standard setting could be as follows:

$dIn = 0$ the dispenser is not activated during filling of the tank.

$dEt = 101$ the dispenser is activated during wash pump operation and, thanks to the concentration measured by the conduction sensor, the correct amount of detergent is dispensed.

2) Rinse-aid diaphragm dispenser

To change the dispensed amount, turn $\pm \text{D}$ on screw "D" accordingly (Figure 16).

Suggestion: to check the effectiveness of the rinse-aid, look at freshly washed glasses against the light. Drops of water remaining on the glass indicate an insufficient amount while streaks indicate an excess.

Changing the detergent/rinse-aid type

If changing to a **different detergent/rinse-aid type** (even one by the same manufacturer), you must rinse the suction and pressure hoses with fresh water before connecting the new detergent/rinse-aid container. Otherwise, the mixing of different types of detergent/rinse-aid will cause crystallisation, which may result in a breakdown of the dosing pump. Failure to observe this condition will invalidate the guarantee and product liability.

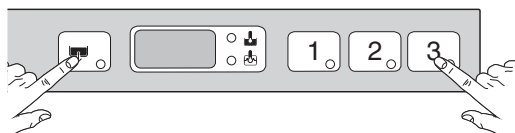
B6 MAINTENANCE

- Descale the boiler, the internal surfaces of the tank and the appliance water piping once or twice a year.
- Descale the rinse and wash jets every month using vinegar or a descaling agent.
- The internal hose of the rinse-aid and detergent peristaltic dispenser should undergo periodic maintenance (once or twice a year).

Prolonged period of inactivity

If the dishwasher is not to be used for a long time, proceed as follows:

- Close the water supply cock.
- Completely drain the tank.
- Remove and carefully clean the filters.
- Completely drain the incorporated dispenser hoses, removing them from the containers. Repeat the procedure described in the paragraph “Manual activation” at least 3 times.
- Completely drain the boiler by simultaneously pressing the buttons as shown in the figure.



A buzzer indicates completion of drainage.

- Spread a thin film of Vaseline oil over all the stainless steel surfaces.

Preventive maintenance

The preventive maintenance call may be activated (see service manuals).

Upon reaching the set number of cycles (e.g. 20000),

CALL appears on the display.

This message advises calling a qualified technician for a general check-up of the state of the appliance.

Only for models with door lock device

Checks for inspection

NOTICE: on the right side of the machine there is a hole, indicated by a “CHECK POINT” label (Figure 19), for accessing the washing chamber with a temperature measurer.

In this way it is possible to check the temperature reached by the dishes during the wash cycle (in accordance with the HTM [Health Technical Memorandum] 2030 guidelines).

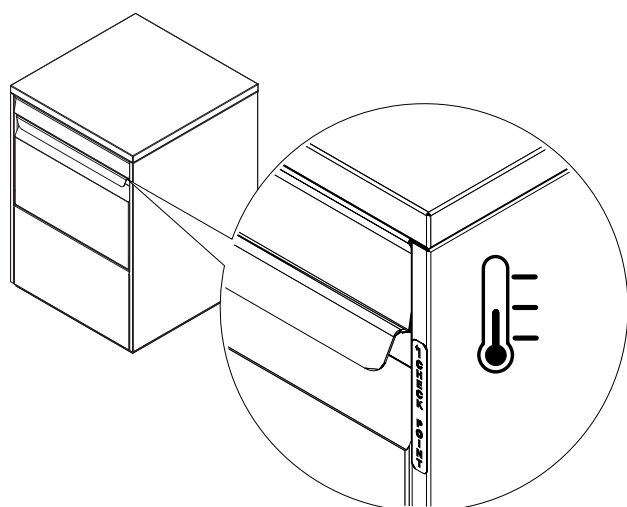


Figure 19

C

INSTRUCTIONS FOR THE USER

Our appliances have been studied and optimised to give high performance. This appliance must be used exclusively for the purpose for which it has been designed, i.e. for washing dishes with water and specific detergents. Any other use is to be considered improper.

This appliance does not carry out the rinse cycle should there be no supply water; it stops all functions with an error message "A1" (also see "Warning messages").

TIPS

- Carry out a couple of cycles without dishes to flush out any industrial grease which has remained in the tank and piping.
- Avoid washing decorated dishes.
- Do not allow silverware to come into contact with other metals.
- Do not allow food to dry on the dishes.
- Remove large food scraps from the dishes to prevent clogging the filters.
- Pre-wash the dishes by spraying them with cold or lukewarm water, without using any detergent.
- Use automatic dispensers for the detergent.
- If there is no automatic dispenser, pour a non-foaming detergent into the tank when the water has reached the washing temperature.

CONTROL PANEL

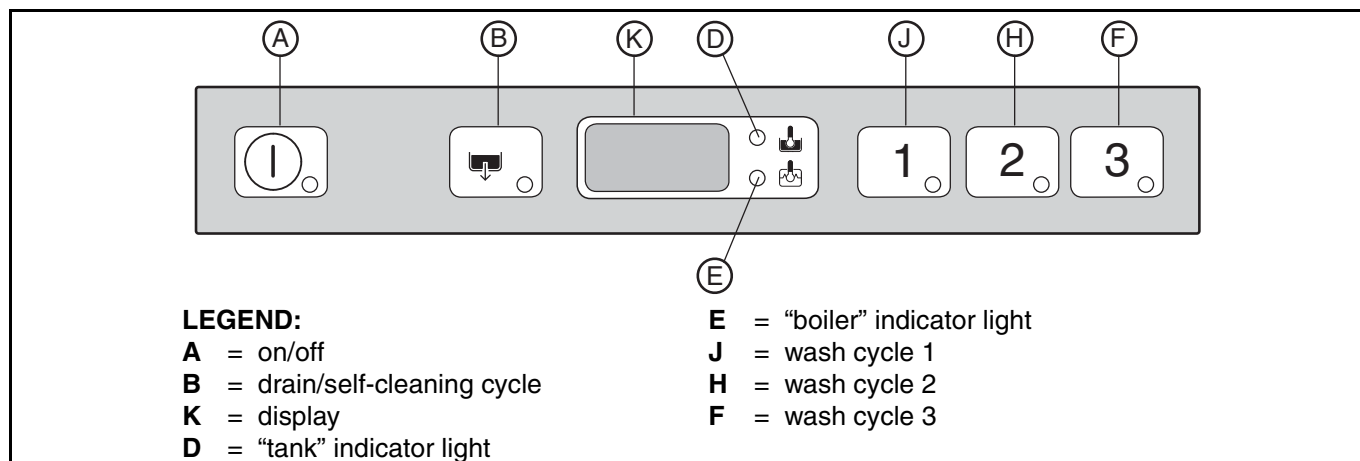
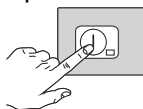


Figure 20

The temperature shown on the display is that of the boiler if the indicator light "E" is on or of the tank if the light "D" is on. The tank temperature is displayed during the wash cycle and the boiler temperature during the rinse cycle.

C1 STARTING

- Open the water supply cock.
- Switch on at the mains.
- Open the door and check that all the components are in their correct position.
- Close the door and press button "A".



The indicator light of button "A" (Figure 20) comes on, indicating that the dishwasher is powered and that water is being introduced and heated. The word "FILL" is shown on the display during the entire filling and heating stage:



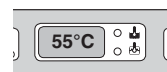
For atmospheric versions only:

Warning, this dishwasher does the first tank filling through several consecutive hot rinse cycles, while the display shows the message FILL (flowing). This system let save up to 30% of time than traditional models.

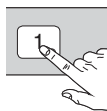
If the door is opened during this stage the message "CLOSE" will appear on the display:



The filling and heating stage has finished when the display shows the tank temperature:



To display the boiler temperature during heating of the tank, open the door and press the button “J” (Figure 20).



C2 WASH CYCLES

The wash cycle includes one wash with hot water and detergent (min 55 °C or min 150 °F for Marine USPH versions) and one rinse with hot water and rinse-aid (min 82 °C or min 180 °F for Marine USPH versions).

Table of times

Standard cycle time with supply water at 50 °C.

| | 1 | 2 | 3 |
|---|------|------|------|
| ZUCI/ AUCI/ EUCI/ ET5IIT ZUCAI/ AUCAI/ EUCAI | 90" | 120" | 240" |
| EUCAIUSPH | 120" | 180" | 300" |
| EUCIM | 95" | 125" | 245" |
| EUCAIWL | 90" | 113" | 173" |
| EUCAIML | 300" | 420" | 600" |
| EUCAIMLG | 360" | 540" | 660" |

Standard cycle time with supply water at 15 °C.

| | 1 | 2 | 3 |
|-----------------------------|-----|------|------|
| EUCAICL, EUCAICLW | 90" | 120" | 240" |
| ET5IDP / ET5IDPWS / ET5AIIT | 90" | 120" | 120" |

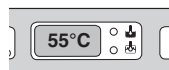
A device lengthens the cycle time if the water in the boiler has not reached the minimum temperature for correct rinsing.

The cycle times and the temperature may be personalised (e.g. increase of the rinse time and temperature).

The cycle times should only be set by a specialised technician.

C3 OPERATION

The filling and heating stage has finished when the display shows the tank temperature:



The appliance is then ready for use:

- Open the door.
- Pour the required amount of detergent into the tank (in models without automatic dispenser).
- Insert the rack containing the dirty dishes.
- Close the door and select the suitable wash cycle; the corresponding indicator light comes on and the wash cycle starts.

Only for models with door lock device

- A closing device locks the door for the entire duration of the wash cycle. By pressing the button of the

selected cycle, the cycle is stopped and the door is released.

- If the dishwasher is equipped with detergent and rinse aid level sensors the message *det 0* may appear on the display. This indicates no detergent in the external tank.

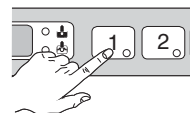
After 5 cycles performed with a lack of detergent, the dishwasher inhibits the start of other wash cycles. Therefore the detergent level in the tank must be restored (see par. “Manual activation”).

- The lack of rinse aid is signalled by the message *rA 0*; this message is a warning that does not stop performance of the wash cycles.

Wash cycles:

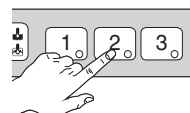
- Cycle I

For lightly soiled dishes: press button “J” (Figure 20) (see table of times).



- Cycle II (recommended)

For normally dirty dishes: press button “H” (Figure 20) (see table of times).



- Cycle III

For very dirty dishes: press button “F” (Figure 20) (see table of times).



Only for models with incorporated water softener

If the salt container is empty, the message *SAL End* is displayed at the start or end of the cycle. Place the salt in the special container, following the instructions given in the section “Undercounter dishwasher with incorporated continuous water softener”.

- To stop the wash cycle, just press the selected cycle button or open the door.
- To continue the wash cycle, just press the selected cycle button or close the door. The cycle starts again from where it stopped.

Only for models with door lock device

At the end of the rinse stage the dishwasher carries out a pause stage of 1 minute 45 seconds, during which the time remaining for completion of the cycle is displayed.

This procedure complies with the parameters required by HTM (Health Technical Memorandum) 2030 guidelines. In this case door lock hinders door opening, so washing cycle cannot be interrupted.

- At the end of the wash, the dishwasher emits a series of beeps and "END" blinks on the display:



Open the door and remove the rack containing the clean dishes.

WARNING

The appliance will not remove burnt food deposits from dishes. Dishes with burnt-on food deposits should be cleaned mechanically/chemically (for example, pre-wash under running water) before putting them in the dishwasher.

WARNING

The use of "foaming"/non-specific detergents or in any case detergents used in different ways from that prescribed by the manufacturer, can cause damage to the dishwasher and compromise washing results.

WARNING

Failure to remove the residuals of detergent possibly used for manual prewash can cause malfunctioning of the dishwasher and compromise washing results.

Change the water in the tank at least twice a day.

Type of racks and loading

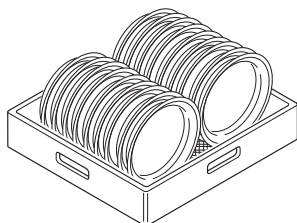


Figure 21

- YELLOW rack: for 18 plates with maximum diameter of 240 mm.

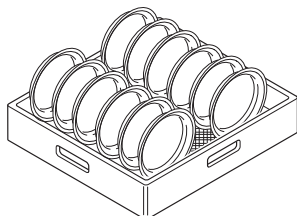


Figure 22

- GREEN rack: for 12 bowls with maximum diameter of 240 mm.

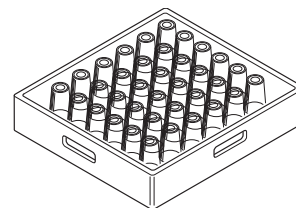


Figure 23

- BLUE rack for glasses: the glasses should be placed upside down.

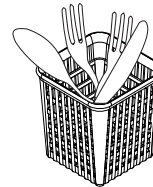


Figure 24

- YELLOW container for cutlery: insert items, with the handles pointing downwards, in each container.
- Available as accessories: dividers for glasses and rack for dishes with maximum diameter of 320 mm.

Note: if only one type of dish rack is to be used, it is advisable to choose the GREEN rack.

C4 END OF WORK AND DAILY CLEANING

The appliance is designed to carry out an automatic cleaning cycle to help flush out any residues and to guarantee greater health and hygiene:

- Open the door and take out the rack containing the clean dishes.
- Remove the tank filters and the overflow "W".

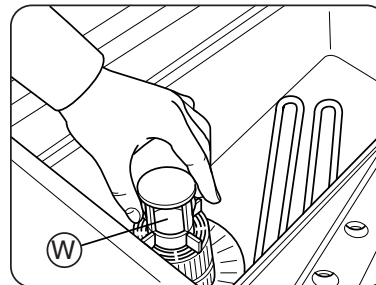
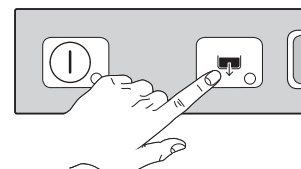
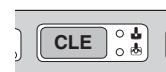


Figure 25

- Close the door.
- Select the drain cycle by pressing button "B" (Figure 20).



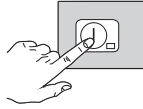
- The message "CLE" ("CLEAN") will be displayed throughout the drain cycle:



- After a few minutes, 3 beeps indicate the end of the cleaning cycle and “END” blinks on the display:



- Switch off the dishwasher by pressing button “A” (Figure 20).



- Switch off at the mains.
- Close the water supply cock.
- Replace the filters and the overflow.
- Remove the top and bottom jets “F” and “I”, unscrewing the ring nut “H”.

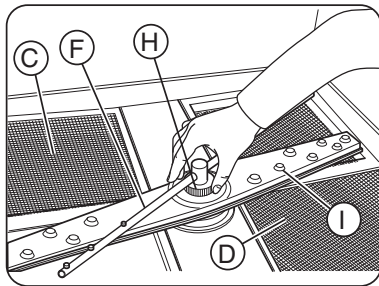


Figure 26

- Carefully clean the washing and rinse jets and clean everything with hot water and neutral detergent/deterasive, if necessary using a soft brush or sponge. Do not use sharp implements to clean the nozzle holes, which could otherwise be damaged.
- Remove filters “C” and “D” and clean them under a water spray.
- Remove the filter “Z” and clean away any remained food in order to avoid blocking the draining system.

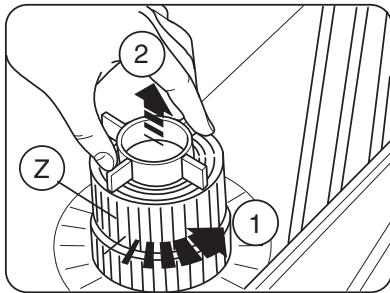


Figure 27

Upon completion of cleaning operations, replace the parts removed previously.

Cleaning the exterior surfaces

Before carrying out any cleaning operations, turn off the power at the mains.

WARNING

Clean the stainless steel surfaces using warm soapy water; never use detergents containing abrasive substances nor steel scrapers, common wire wool, brushes or scrapers; rinse thoroughly using a wet cloth and carefully wipe dry.

Clean the control panel using a soft damp cloth and a neutral detergent if necessary.

Do not wash the appliance using direct or high-pressure water jets.

To reduce the emission of pollutants into the environment, clean the appliance (externally and where necessary internally) with products having a biodegradability of over 90%.

C5 UNDERCOUNTER DISHWASHER WITH INCORPORATED CONTINUOUS WATER SOFTENER

These models have a continuous softener in the dishwasher water circuit. By means of special resins, this device removes the calcareous substances from the feed water, supplying decalcified water for washing.

For the continuous softener to work properly the resins must be regenerated periodically, with frequency depending on the hardness of the water and the number of wash cycles carried out.

Unlike conventional water softeners, this continuous softener does not require machine stops for regenerating the resins.

AUTONOMY OF THE FULL SALT CONTAINER ACCORDING TO THE CHANGE IN INLET WATER HARDNESS

| Water hardness | | | The salt container must be filled approximately every (*): | Using cycle 2 for 30 cycles/day, the salt container must be filled approximately every (*): |
|----------------|------|------|--|---|
| °f | °d | °e | | |
| 15 | 8,4 | 10,5 | 1168 | 39 |
| 20 | 11,2 | 14 | 837 | 28 |
| 25 | 14 | 17,5 | 589 | 19 |
| 30 | 16,8 | 21,1 | 506 | 17 |
| 35 | 19,6 | 24,6 | 423 | 14 |
| 40 | 22,4 | 28,1 | 341 | 11 |

The factory setting of max. outlet water hardness is 10 °f/ 5.6 °d/ 7 °e.
 (*) Considering a rinse time according to the factory settings.

Salt container

The water can only be softened if there is salt in the special container. The salt container must be filled when the dishwasher is started the first time and whenever the message **SAL End** appears and an audible alarm sounds.

No salt in the container



IMPORTANT:

Only use coarse salt with a purity level of 99.8% NaCl. The use of salt with a lower purity level can cause clogging of the salt container filter and malfunctioning of the water softener.

When the salt container is empty, the message **SAL End** appears on the display and an audible alarm sounds. Wash cycles can be started just the same, even if the display signals no salt; in which case the water used for washing is not softened.



IMPORTANT:
Open the salt container only when the message **SAL End** is displayed. Opening the cap when the message **SAL End** is not displayed can cause spilling of the saline solution and compromise correct machine operation.

How to fill the salt container

- Switch off the dishwasher by pressing button "A" (Figure 20).



- Unscrew cap "A" (Figure 28) of the salt container, turning it anticlockwise.

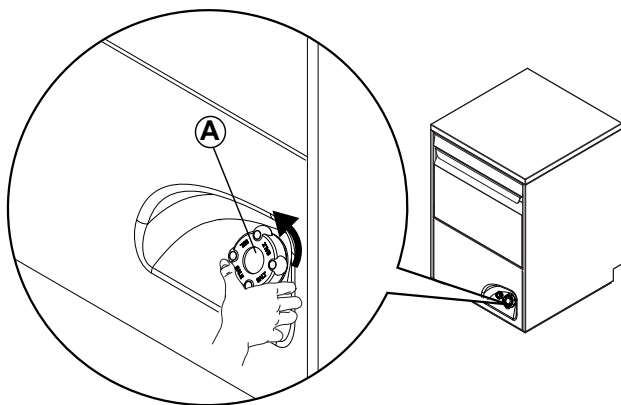


Figure 28

- Pour approx. 1.5 kg of coarse salt [NaCl] in container "A" (an amount sufficient to fill the salt container up to the rim) using the special funnel supplied (Figure 29).

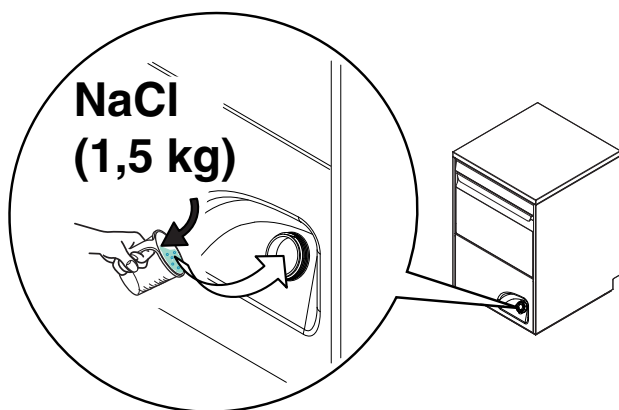


Figure 29



IMPORTANT:
only salt may be placed in the salt container. Do not introduce any other chemical substances such as detergent, rinse aid or descaling agent, since these would inevitably damage the appliance. Such damage invalidates any warranty and relieves the manufacturer of all liability.

- Remove any traces of salt from the filling hole, the container thread and the closing cap seal.

- Refit the cap of container "A", turning it clockwise and making sure it is tight.



IMPORTANT:
The message **SAL End** may appear for several wash cycles even after topping-up the salt, as the salt must circulate in the entire system. Correct operation of the dishwasher is not, however, affected.

The salt container always has water in it, therefore it is normal if water comes out during filling.

C6 WARNING MESSAGES DISPLAYED ON THE CONTROL PANEL

A1 NO WATER

- Check that the cock is open
- Check that the water inlet filter is clean
- Check the minimum mains pressure (not less than 50 kPa)
- Check that the overflow pipe is inserted (for appliances without drain pump only)

B1 INEFFICIENT DRAINAGE

- Check if the overflow has been removed.
- Check for obstruction on the waste outlet pipe and the overflow aperture.

B2 TANK WATER LEVEL TOO HIGH

- Check for obstruction on the waste outlet pipe and the overflow aperture.

C1..C8 CALL THE SERVICE CENTRE

E1..E8 CALL THE SERVICE CENTRE

- The appliance continues to operate, but appropriate checks by a technician are recommended.

F21..F22 CALL THE SERVICE CENTRE

C7 RESIDUAL RISKS

The machine has several risks that were not completely eliminated from a design standpoint or with the installation of adequate protection devices.

Nevertheless, through this manual the Manufacturer has taken steps to inform operators of such risks, carefully indicating the personal protection equipment to be used by them.

Sufficient spaces are provided for during the machine installation phases in order to limit these risks.

To preserve these conditions, the corridors and areas around the machine must always be:

- kept free of obstacles (e.g. ladders, tools, containers, boxes, etc.);

- clean and dry;
- well lit.

For the Customer's complete information, the residual risks remaining on the machine are given below; such actions are to be considered incorrect and therefore strictly forbidden.

| RESIDUAL RISK | DESCRIPTION OF HAZARDOUS SITUATION |
|----------------------|---|
| Slipping or falling | The operator can slip due to water or dirt on the floor. |
| Burns | The operator deliberately or unintentionally touches some components inside the machine or dishes at the outfeed without using gloves or without allowing them to cool. Possible contact with water above 60°C / 140°F. |
| Electrocution | Contact with live parts during maintenance operations carried out with the electrical panel powered. |
| Falling from above | The operator intervenes on the machine using unsuitable systems to access the upper part (e.g. rung ladders, or climbs on it). |
| Tipping of loads | During maintenance on the machine or the packing containing the machine with the use of unsuitable accessories or lifting systems or with load unbalanced. |
| Chemical | Contact with chemical substances (e.g. detergent, rinse aid, scale remover, etc.) without taking adequate safety precautions. Therefore always refer to the safety cards and labels on the products used. |

| | |
|--|--|
| DISHWASHER DOES NOT WASH WELL | <ol style="list-style-type: none"> 1. Check if the suction filter is dirty and clean it thoroughly. 2. Check if the wash jets are clogged by solid food remains. 3. Check that the initial amount of detergent or subsequent additions are correct. 4. The selected wash cycle is too short. Repeat the cycle. 5. Check that the tank temperature is between 55°C and 65°C. 6. Check that the dishes are stacked correctly in the racks. |
| GLASSES AND DISHES ARE NOT DRIED PROPERLY | <ol style="list-style-type: none"> 1. Check the instructions for the amount of rinse-aid (see “setting the dispensers” paragraph). 2. Check that there is rinse-aid in the container and if necessary top up. 3. Check the set amount of rinse-aid (see “setting the dispensers” paragraph). 4. Check that the water temperature is between 80°C and 90°C. |
| CONDENSATION ON GLASSES | <ol style="list-style-type: none"> 1. Check that there is rinse-aid in the container and if necessary top up. 2. Check the set amount of rinse-aid (see “setting the dispensers” paragraph). 3. Remove the rack of glasses immediately the cycle has ended. |
| STAINS ON THE GLASSES | <ol style="list-style-type: none"> 1. Only use “non-foaming” products for professional dishwashers. |
| EXCESSIVE FOAM IN THE TANK | <ol style="list-style-type: none"> 1. Check that the wash water temperature is not less than 50°C. 2. Check if the amount of product dispensed by the detergent dispenser is excessive (see “setting the dispensers” paragraph). 3. Ensure that the tank has not been cleaned with unsuitable cleaners. Drain the tank and rinse thoroughly before new wash cycles. 4. If a foaming detergent has been used, drain and refill the tank with water until the foam disappears. |
| SMEARS OR SPOTS ON THE GLASSES | <ol style="list-style-type: none"> 1. Reduce the amount of rinse-aid (see “setting the dispensers” paragraph). |
| THE WASH OR RINSE ARMS TURN SLOWLY | <ol style="list-style-type: none"> 1. Remove and thoroughly clean the arms. 2. Clean the wash pump suction filter. |

